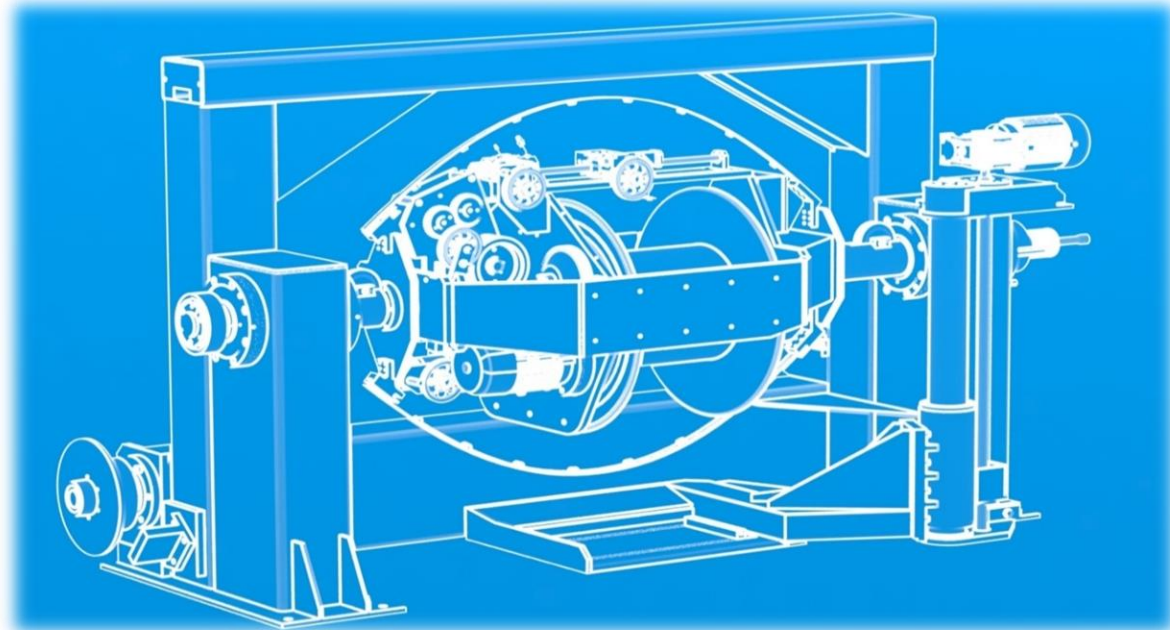


BUNCHER 800

Technical Specification		
Spool	Flange Diameter	800 mm
	Hole	80 mm
	Spool's Total Weight	1000 Kg
Max. Motor speed		2200 RPM
Max. Twist No.		4400 TPM
Max. Linear Speed		507 m/min
Lay Length Range		20 – 230.5 mm
Bow rotation direction		S - Z
Max. cross section of the flexible ropes		16 mm ²
Number of grooves on drawing capstans		5
Drawing capstans diameter		180 mm
Breaking Time	Normal	20 sec.
	Emergency	7 sec.
Max. Degree of Noisiness		83 dB
Max. Operating Temperature		50° C
Input Power		3P AC 400V 50Hz
Main Motor		22 KW
Spool Motor		2.2 KW
Installed Power		32 KW
Total Weight		4400 Kg



The tension in conductor is adjusted by a torque controller motor and a separate controller with a high precision.
The traversing system is performed by a servo motor and ruler system.